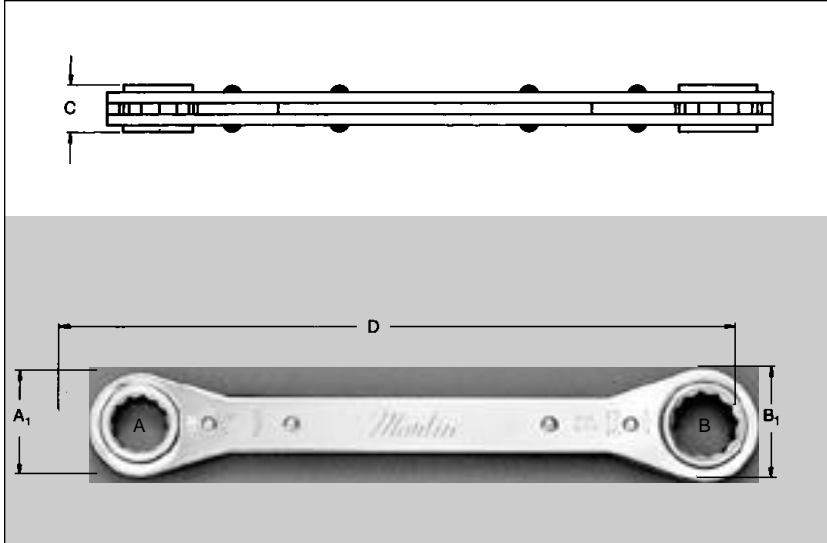




# Ratcheting Box Wrenches & Sets — Straight Pattern



Chrome Finish

Different Openings on Each End in Size from  $\frac{1}{4}$  thru  $\frac{7}{8}$  .

12 Point with 6 Point Also Available on RB810, 1214 and 1618.

Wrench Openings A x B	Type Opening	Diameter of Head		Thickness of Head C	Overall Length D	Wt. Ea. Lbs.	Chrome	Std. Pkg. Qty.	Wrench Openings
		A <sub>1</sub>	B <sub>1</sub>				Part No.		A x B
$\frac{1}{4} \times \frac{5}{16}$	6 pt.	$\frac{5}{16}$	$\frac{5}{8}$	$\frac{3}{8}$	4 $\frac{1}{4}$	.12	RB810	6	$\frac{1}{4} \times \frac{5}{16}$
$\frac{1}{4} \times \frac{5}{16}$	12 pt.	$\frac{5}{16}$	$\frac{5}{8}$	$\frac{3}{8}$	4 $\frac{1}{4}$	.13	RB810DH	6	$\frac{1}{4} \times \frac{5}{16}$
$\frac{3}{8} \times \frac{7}{16}$	6 pt.	$\frac{5}{8}$	$\frac{7}{8}$	$\frac{3}{8}$	5 $\frac{1}{2}$	.18	RB1214	6	$\frac{3}{8} \times \frac{7}{16}$
$\frac{3}{8} \times \frac{7}{16}$	12 pt.	$\frac{5}{8}$	$\frac{7}{8}$	$\frac{3}{8}$	5 $\frac{1}{2}$	.19	RB1214DH	6	$\frac{3}{8} \times \frac{7}{16}$
$\frac{1}{2} \times \frac{9}{16}$	6 pt.	1	1 $\frac{1}{8}$	$\frac{1}{2}$	6 $\frac{3}{4}$	.42	RB1618	6	$\frac{1}{2} \times \frac{9}{16}$
$\frac{1}{2} \times \frac{9}{16}$	12 pt.	1	1 $\frac{1}{8}$	$\frac{1}{2}$	6 $\frac{3}{4}$	.42	RB1618DH	6	$\frac{1}{2} \times \frac{9}{16}$
$\frac{5}{8} \times \frac{11}{16}$	12 pt.	1 $\frac{1}{4}$	1 $\frac{1}{16}$	$\frac{1}{2}$	8	.54	RB2022	6	$\frac{5}{8} \times \frac{11}{16}$
$\frac{5}{8} \times \frac{3}{4}$	12 pt.	1 $\frac{1}{4}$	1 $\frac{1}{16}$	$\frac{1}{2}$	8	.52	RB2024	6	$\frac{5}{8} \times \frac{3}{4}$
$\frac{1}{16} \times \frac{13}{16}$	12 pt.	1 $\frac{7}{16}$	1 $\frac{9}{16}$	$\frac{1}{2}$	9 $\frac{1}{4}$	.78	RB22226	6	$\frac{1}{16} \times \frac{13}{16}$
$\frac{3}{4} \times \frac{7}{8}$	12 pt.	1 $\frac{7}{16}$	1 $\frac{9}{16}$	$\frac{1}{2}$	9 $\frac{1}{4}$	.74	RB2428	6	$\frac{3}{4} \times \frac{7}{8}$

## Sets

RB5K		RB7K	
	<b>OPENING</b>	<b>PART NO.</b>	
	$\frac{1}{4} \times \frac{5}{16}$ .....	RB810	
	$\frac{3}{8} \times \frac{7}{16}$ .....	RB1214	
	$\frac{1}{2} \times \frac{9}{16}$ .....	RB1618	
	$\frac{5}{8} \times \frac{11}{16}$ .....	RB2022	
	$\frac{3}{4} \times \frac{7}{8}$ .....	RB2428	
	Kit Bag.....	C185	
	<b>OPENING</b>	<b>PART NO.</b>	
	$\frac{1}{4} \times \frac{5}{16}$ .....	RB810	
	$\frac{3}{8} \times \frac{7}{16}$ .....	RB1214	
	$\frac{1}{2} \times \frac{9}{16}$ .....	RB1618	
	$\frac{5}{8} \times \frac{11}{16}$ .....	RB2022	
	$\frac{5}{8} \times \frac{3}{4}$ .....	RB2024	
	$\frac{1}{16} \times \frac{13}{16}$ .....	RB22226	
$\frac{3}{4} \times \frac{7}{8}$ .....	RB2428		
Kit Bag.....	C187		

# Ratcheting Box Wrenches & Sets — 25° Offset Pattern



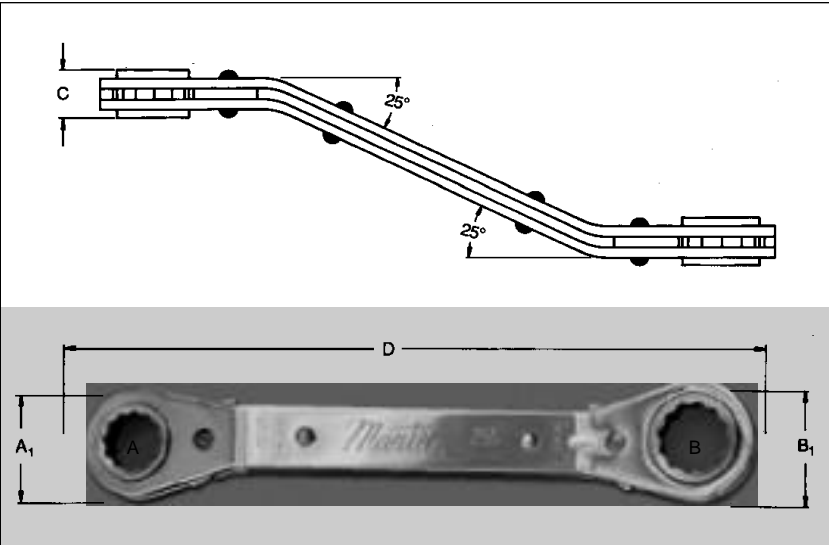
Chrome Finish

25° Offset

Size Openings from 1/4 thru 7/8 with  
Different Openings on Each End.

RBO810 thru RBO1618  
6 Point

RBO2022 thru RBO2428  
12 Point



Wrench Openings A x B	Type Opening	Diameter of Head		Thickness of Head C	Overall Length D	Wt. Ea. Lbs.	Chrome	Std. Pkg. Qty.	Wrench Openings
		A <sub>1</sub>	B <sub>1</sub>				Part No.		A x B
1/4 x 5/16	6 pt.	9/16	5/8	3/8	4 3/32	.12	RBO810	6	1/4 x 5/16
3/8 x 7/16	6 pt.	5/8	7/8	3/8	5 1/32	.18	RBO1214	6	3/8 x 7/16
1/2 x 9/16	6 pt.	1	1 1/8	1/2	6 13/32	.42	RBO1618	6	1/2 x 9/16
5/8 x 1 1/16	12 pt.	1 1/4	1 7/16	1/2	7 21/32	.54	RBO2022	6	5/8 x 1 1/16
3/4 x 3/4	12 pt.	1 1/4	1 7/16	1/2	7 21/32	.52	RBO2024	6	3/4 x 3/4
1 1/16 x 1 3/16	12 pt.	1 7/16	1 9/16	1/2	8 3/4	.78	RBO2226	6	1 1/16 x 1 3/16
3/4 x 7/8	12 pt.	1 7/16	1 9/16	1/2	8 3/4	.74	RBO2428	6	3/4 x 7/8

## Sets

RBO5K		RBO7K	
OPENING	PART NO.	OPENING	PART NO.
1/4 x 5/16	RBO810	1/4 x 5/16	RBO810
3/8 x 7/16	RBO1214	3/8 x 7/16	RBO1214
1/2 x 9/16	RBO1618	1/2 x 9/16	RBO1618
5/8 x 1 1/16	RBO2022	5/8 x 1 1/16	RBO2022
3/4 x 3/4	RBO2428	3/4 x 3/4	RBO2024
Kit Bag	C185	1 1/16 x 1 3/16	RBO2226
		3/4 x 7/8	RBO2428
		Kit Bag	C187